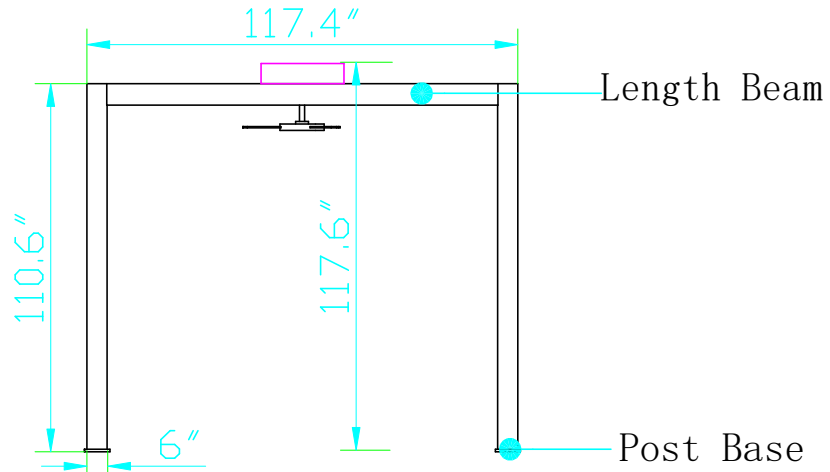
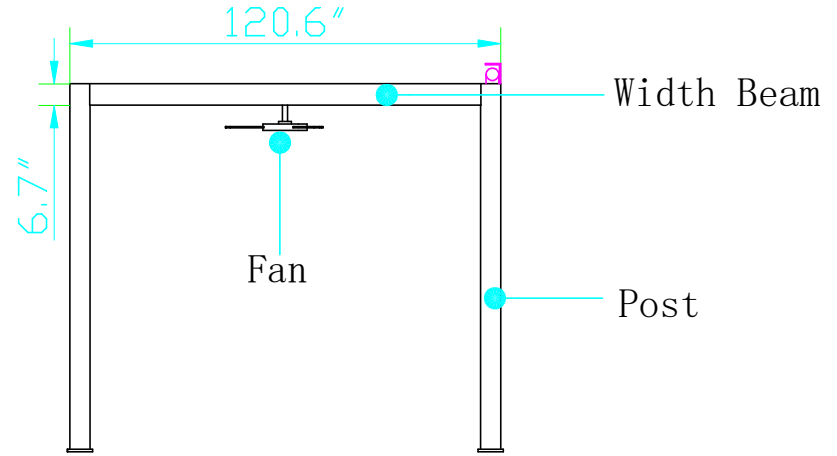


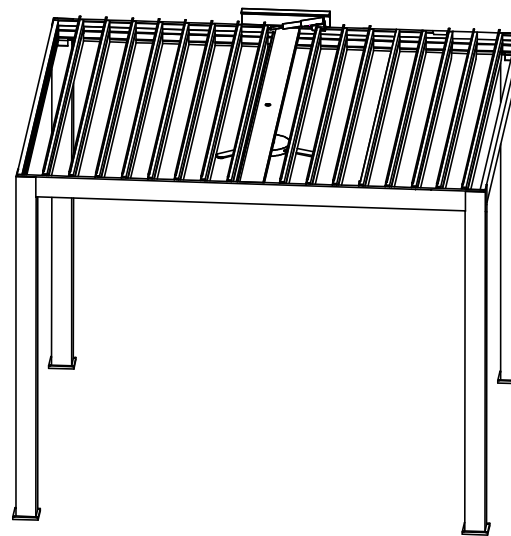
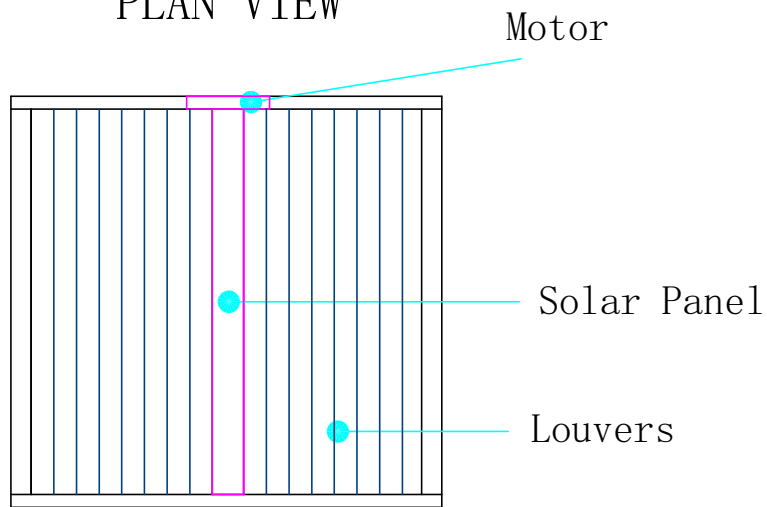
### FRONT ELEVATION



### SIDE ELEVATION



### PLAN VIEW



### Kit Components

Description	Quantity
6"x6" Post	4
7"x2" Width Beam	2
7"x2" Length Beam	2
46" Fan	1
Solar Panel Middle Beam	1
DC 24V Motor	1
Louvers	16
LED Lights	2

